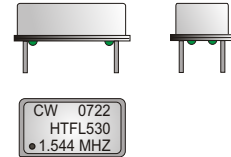


CRYSTAL CONTROLLED OSCILLATORS

3.3V 14 Pin DIP LVCMOS TCXO Crystal Oscillator



HTFL530

ABSOLUTE MAXIMUM RATINGS

TABLE 1.0

PARAMETER	UNITS	MINIMUM	NOMINAL	MAXIMUM	UNITS	NOTE
Storage Temperature		-40	-	85	°C	
Supply Voltage	(Vcc)	-0.5	-	7	Vdc	

OPERATING SPECIFICATIONS

TABLE 2.0

PARAMETER		MINIMUM	NOMINAL	MAXIMUM	UNITS	NOTE
Frequency Range	(Fo)	1.0		52.0	MHz	
Frequency Tolerance		-3.0	-	3.0	ppm	1
Operating Temperature Range		0	-	70	°C	
Supply Voltage	(Vcc)	3.135	3.3	3.465	Vdc	
Supply Current	(Icc)	-	-	25	mA	
Jitter (BW=10Hz to 20MHz)		-	-	5	ps rms	
Jitter (BW=12kHz to 20MHz)		-	-	1	ps rms	
SSB Phase Noise at 10Hz offset		-	-80	-	dBc/Hz	
SSB Phase Noise at 100Hz offset		-	-110	-	dBc/Hz	
SSB Phase Noise at 1KHz offset		-	-135	-	dBc/Hz	
SSB Phase Noise at 10KHz offset		-	-150	-	dBc/Hz	
SSB Phase Noise at 100KHz offset		-	-150	-	dBc/Hz	

LVCMOS OUTPUT CHARACTERISTICS

TABLE 3.0

PARAMETER		MINIMUM	NOMINAL	MAXIMUM	UNITS	NOTE
LOAD		-	-	15	pF	
Voltage (High)	(Voh)	90%Vcc	-	-	Vdc	
(Low)	(Vol)	-	-	10%Vcc	Vdc	
Current (High)	(Ioh)	-4	-	-	mA	
(Low)	(Iol)	-	-	4	mA	
Duty Cycle measured at 50% Vcc		45	50	55	%	
Rise / Fall Time 10% to 90%		-	-	8	nS	

PACKAGE CHARACTERISTICS

TABLE 4.0

Package	Hermetically sealed, metal package.
Soldering Process	See solder profile on page 2.

Note:

- Total tolerance includes calibration, frequency vs. change in temperature stability, supply voltage change, load change, shock and vibration, 10 years aging.

DESCRIPTION

The Connor Winfield HTFL530 is a 3.3V, 14 Pin DIP Temperature Compensated Crystal Controlled Oscillator (TCXO) with a LVCMOS output. The HTFL530 is designed for applications requiring low noise, low jitter and tight frequency stability.

FEATURES

- VCTCXO
- 3.3V OPERATION
- LVCMOS OUTPUT
- TOTAL FREQUENCY TOLERANCE: ±3.0ppm OVER TEN YEARS
- TEMPERATURE RANGE: 0 to 70°C
- LOW JITTER <1ps RMS
- HERMETICALLY SEALED DIP PACKAGE
- RoHS COMPLIANT / LEAD FREE

ORDERING INFORMATION

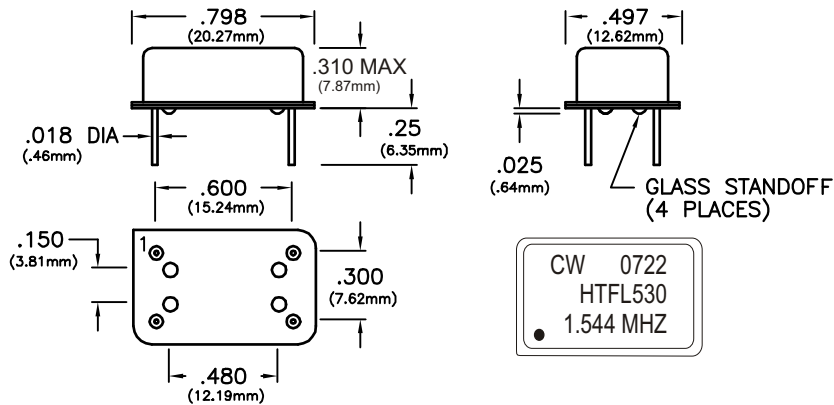
HTFL530 - 001.544M



Specifications subject to change without notice.

CRYSTAL CONTROLLED OSCILLATORS

Package Outline and Dimensions



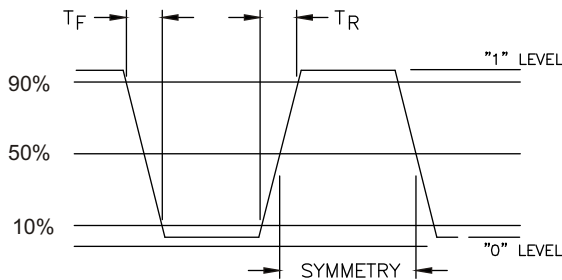
Pin Connections

TABLE 6.0

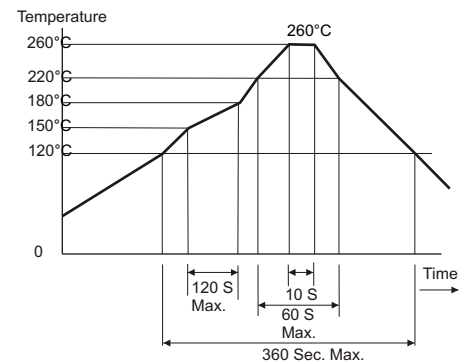
Pin	Connection
1	N/C
7	Ground
8	Output
14	Vcc

Dimensional Tolerance:
±.005 (.127mm)
±.02 (.508mm)

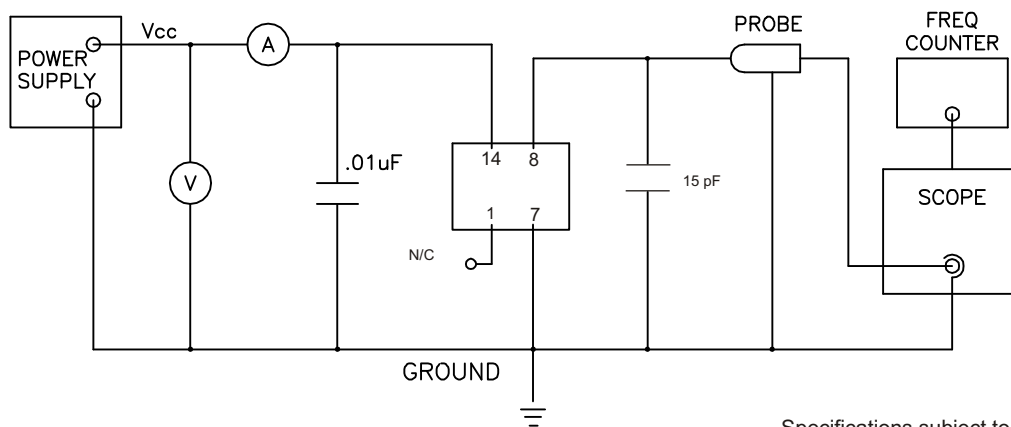
Output Waveform



Solder Profile



Test Circuit



Specifications subject to change without notice.